



SPU-GE420-H

Dual-Mode ONU



Brief Views

SPU-GE420-H dual-mode ONU is one of the XPON optical network unit design to meet the requirement of the broadband access network. It apply in FTTH/FTTO to provide the data, video service based on the XPON network.

SPU-GE420-H dual-mode ONU supports EPON and GPON two modes access. The ONU automatically switches into the corresponding PON mode by identifying the local OLT mode to complete GPON or EPON adaptive access.

SPU-GE420-H have a high reliability and provide quality of service guarantee, easy management, flexible expansion and networking. It fully meets the ITU-T and IEEE technical standards and have good compatibility with third party OLT.

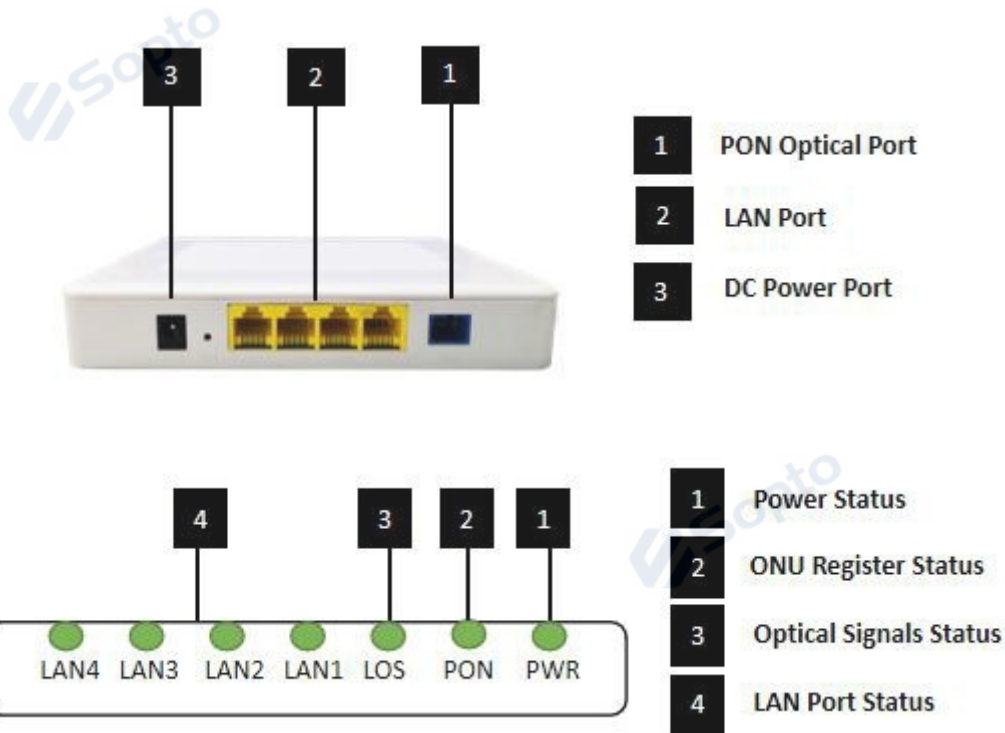
Features

- In compliant with IEEE802.3ah and ITU - T G.984 standard
- Support ONU auto-discovery/Link detection/remote upgrade of software
- Support multiple registration methods
- Support port VLAN configuration
- Support mac-address learning
- Support port-based rate limitation and bandwidth control
- Support port isolate
- Support port flow-control
- Support broadcasting storm resistance function
- Support igmp transparent/snooping/proxy mode



- Support remote management configuration
- Support Dynamic Bandwidth Allocation (DBA)
- Support AES encryption and decryption
- EMS network management based on SNMP ,convenient for maintenance
- Support power-off alarm function ,easy for link problem detection

Product interface and LED definitions



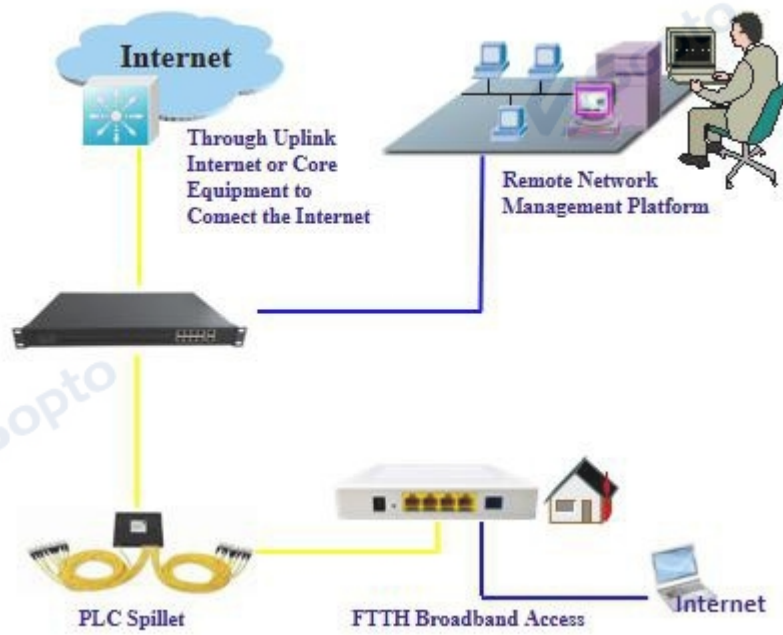
Indicator			Description
1	PWR	Power status	On: The ONU is power on; Off: The ONU is Power off;
2	PON	ONU Register	On: Success to register to OLT; Blinking: In process of registering to OLT; Off: In process of registering to OLT;
3	LOS	XPON optical signals	On: Optical power lower than receiver sensitivity ; Off: Optical in normal
4	LAN1-4	LAN port status	On: Ethernet connection is normal; Blinking: Data is being transmitted through the Ethernet port; Off: Ethernet connection is not set up;

**Specification**

Item	Parameter
EPON/GPON Interface	SC/UPC single mode single fiber GPON : FSAN G.984.2 standard, Class B+ EPON : 1000BASE-PX20+ symmetric GPON : 2.488Gbps/1.244Gbps downstream/upstream EPON : 1.25Gbps downstream/upstream Wavelength: Transmit: 1310nm Receiver: 1490nm Receiving sensitivity : GPON : -28dBm EPON : -27dBm Saturated power : GPON : -8dBm EPON : -3dBm Transmitting power : GPON : 0.5 ~ 5dBm EPON:0 ~ 4dBm
User Ethernet Interface	4*10/100/1000 auto-negotiation Full/half duplex mode RJ45 connector Auto MDI/MDI-X 100m distance
Power Interface	12V DC Power supply
Management Mode	OMCI, OAM, WEB, Telnet
Management Function	Status monitor, Configuration management, Alarm management, Log management
Power	<4.5W, 12V/0.5A power supply adapter
Physical Specifications	Item Dimension : 160mm(L) x 112mm(W) x 28.5mm (H) Item Net Weight : about 198g
Environmental Specifications	Operating temperature: 0 to 40°C Operating humidity: 10% to 90%(Non-condensing)

Application

- Typical Solution: FTTH, FTTO
- Typical Business: INTERNET, IPTV



Ordering Information

Part Number	Product Description
SPU-GE420-H	G/EPON ONU , 4 *10/100/1000M UTP Ports

If you need more customized services, please contact us.

E-mail: info@sopto.com.cn

Web : <http://www.sopto.com.cn>